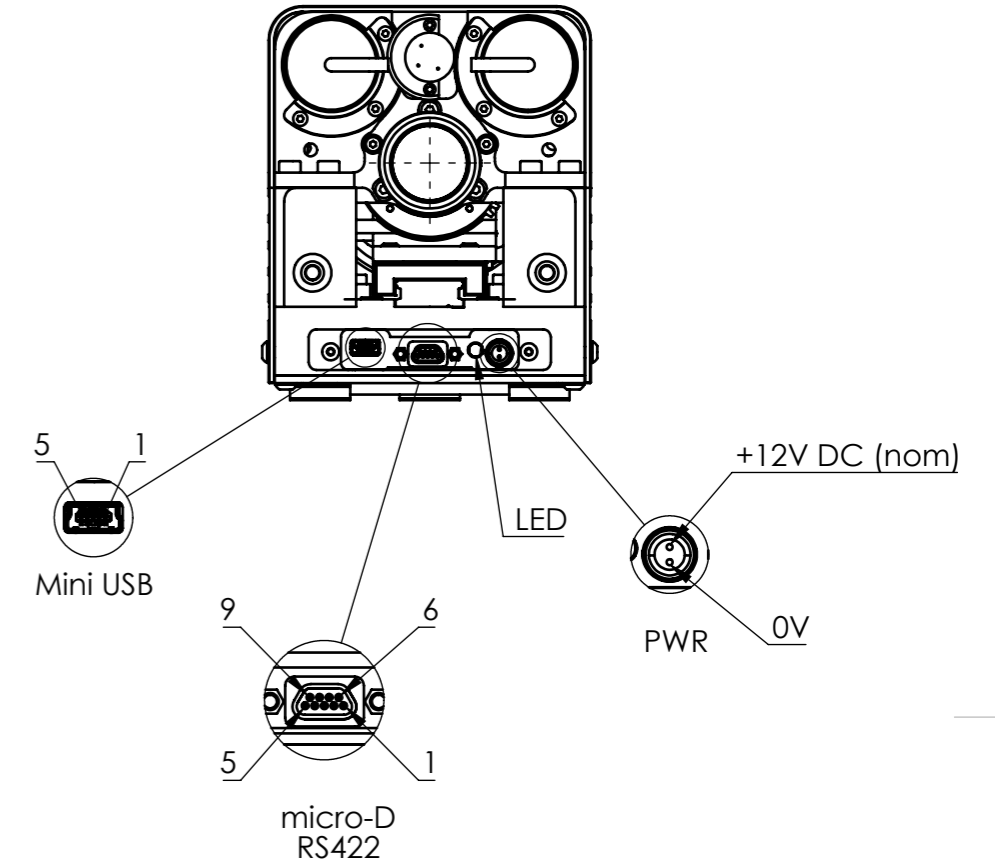
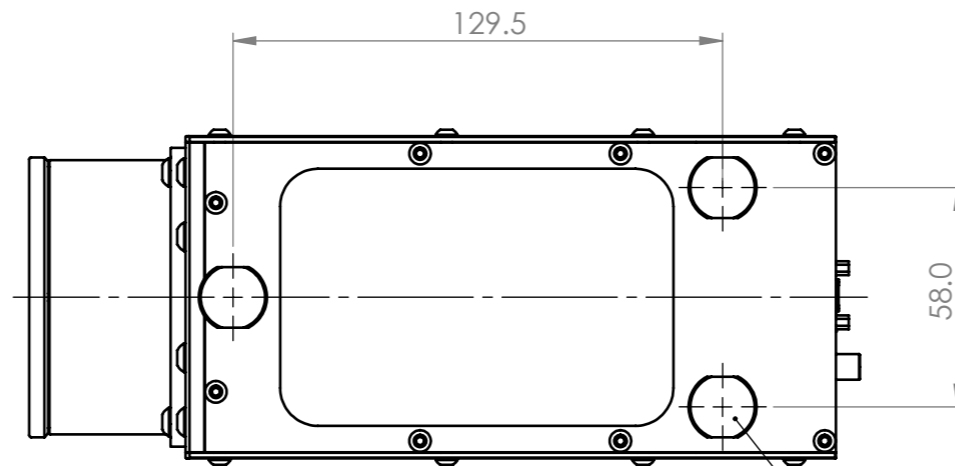
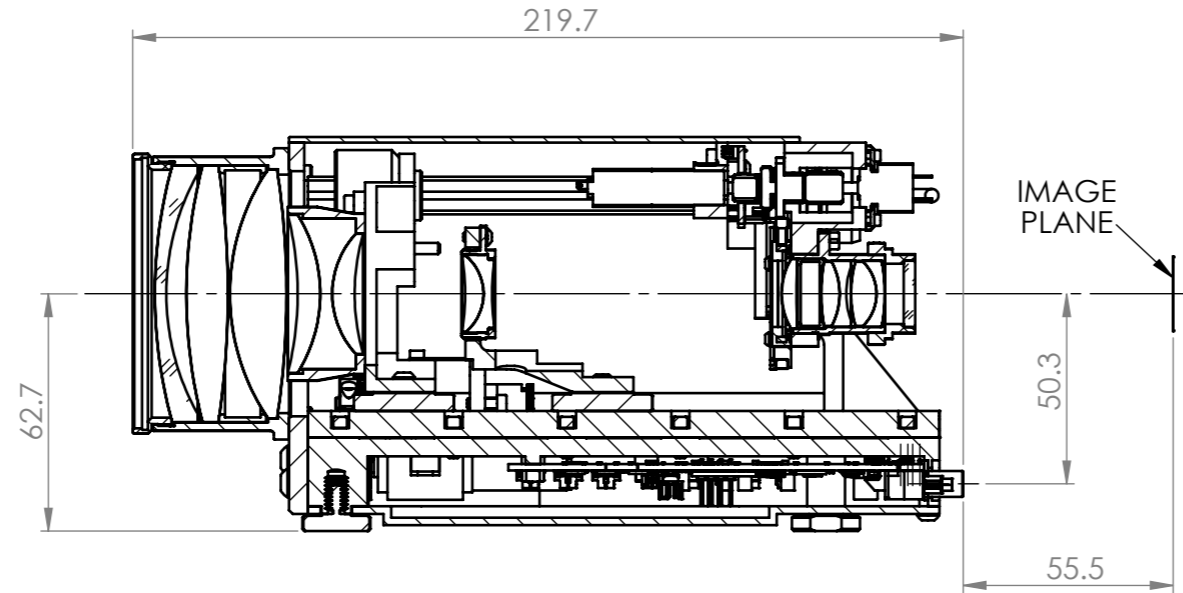
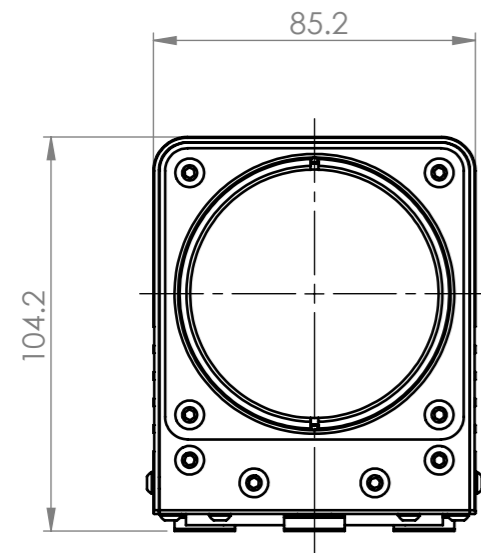


DO NOT SCALE DRAWING



REMOVABLE FEET.
3 x M6 FIXING
POINTS AVAILABLE

CONNECTIONS

RS422:	pin	function	pin	function
	1	RX- (Host to Lens)	5	GND (can be unlinked from board ground)
	2	RX+	6	TX- (Lens to Host)
	3, 4, 5, 9	NC	7	TX+
USB:				
	pin	function	pin	function
	1	VBUS (5V) - enables USB circuit	4	NC
	2	D-	5	GND (can be unlinked from board ground)
	3	D+		
POWER CONNECTOR: Mating part is LEMO FGG.00.302.CLAD35 pin polarity as shown (reverse protected)				
LED (if enabled): Green steady = power on Blink every 2.5 sec = heartbeat (alive) More frequent blinking = communications activity				

TOLERANCES:
UNLESS OTHERWISE SPECIFIED:
LINEAR:- 0 ±0.5
 0.0 ±0.3
 0.00 ±0.1
ANGULAR:- 0° ±2° 0.0° ±0.25°

THIRD ANGLE PROJECTION



DEBURR AND BREAK SHARP EDGES
UNLESS OTHERWISE SPECIFIED

MATERIAL:

FINISH:

PRINTED
27 November 2017

DRAWN	13/11/2017	1
REF.	DATE	REV



Beck Optronic Solutions

THESE DRAWINGS MAY NOT BE USED FOR ANY PURPOSE OUTSIDE THOSE EXPRESSLY AGREED WITH BECK OPTRONIC SOLUTIONS Ltd. ©BECK OPTRONIC SOLUTIONS, 2015. ALL RIGHT RESERVED

TITLE: **SWIR ZOOM 33-330mm INTERFACE DRAWING**

	NAME	SIGNATURE	DATE	USED ON
DRAWN	PRG		13/11/17	-
CHK'D	-		-	WEIGHT:
APPV'D	-		-	

DWG NO.	D1810-ID-002	A3
DIMENSIONS IN mm	SHEET 1 OF 1	SCALE: 1:2