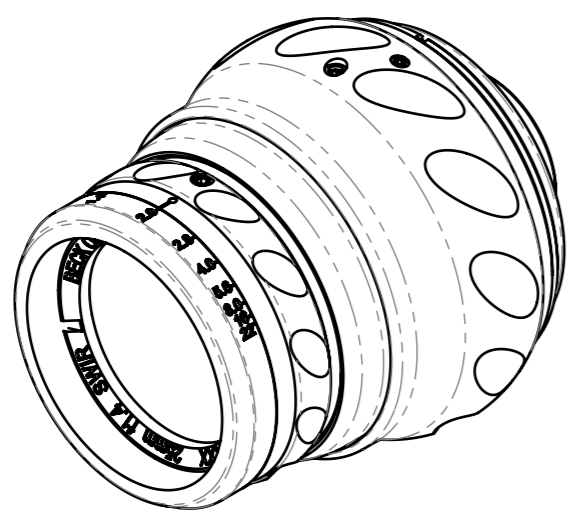
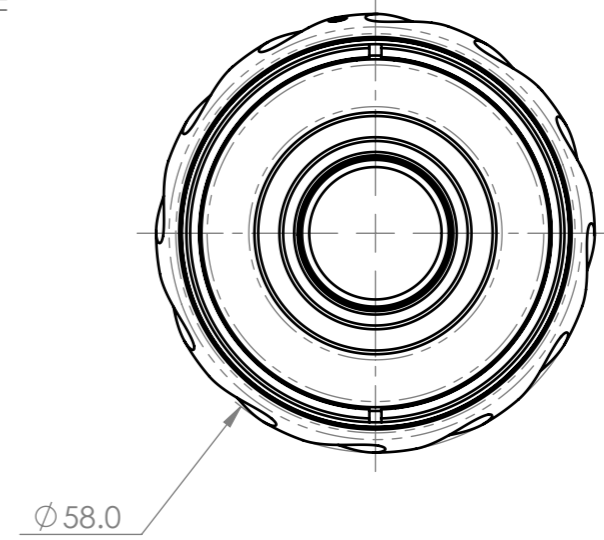
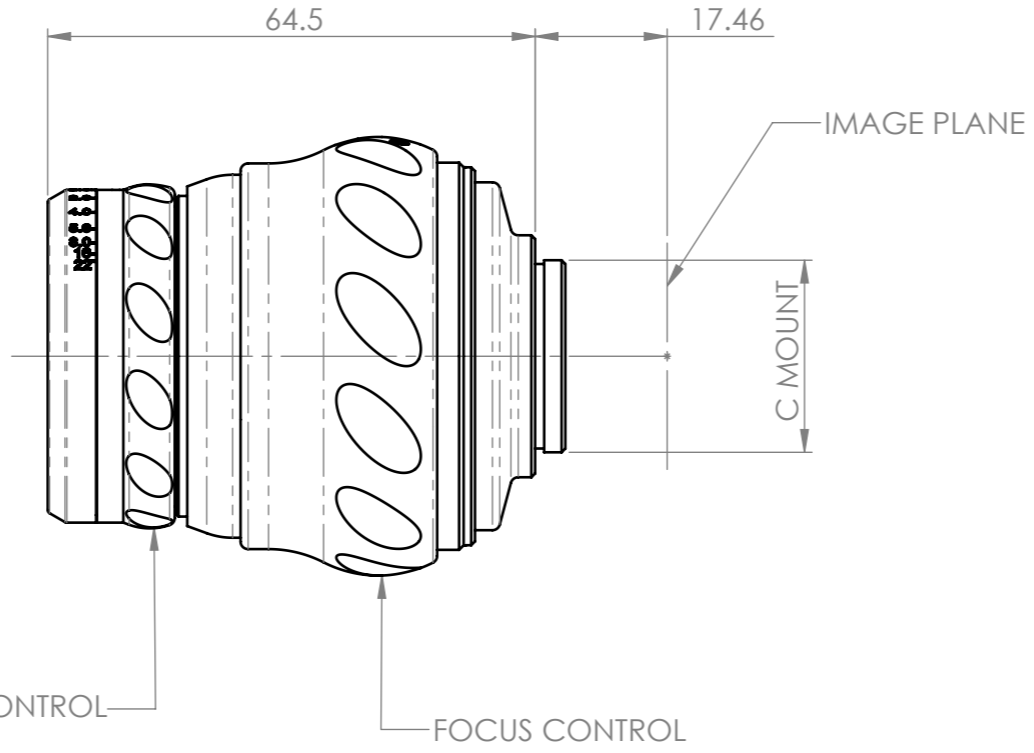
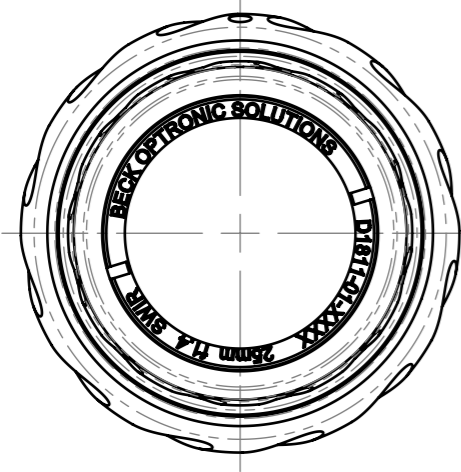


1 2 3 4 5 6 7 8

A
B
C
D
E
F



DRAWN	20/06/14	1
REF.	DATE	REV

TOLERANCES:
 SURFACE FINISH 1.6µm Ra
 LINEAR:- 0 ±0.5
 0.0 ±0.3
 0.00 ±0.1
 ANGULAR:- 0° ±2° 0.0° ±0.25°
 UNLESS OTHERWISE SPECIFIED



Beck Optronic Solutions

DEBURR AND BREAK SHARP EDGES UNLESS OTHERWISE SPECIFIED

THESE DRAWINGS MAY NOT BE USED FOR ANY PURPOSE OUTSIDE THOSE EXPRESSLY AGREED WITH BECK OPTRONIC SOLUTIONS Ltd. © BECK OPTRONIC SOLUTIONS, 2015. ALL RIGHTS RESERVED.

MATERIAL: -

FINISH: -

25mm SWIR LENS ASSY

	NAME	SIG	DATE	USED ON
DRAWN	JRB		20/06/14	-
CHK'D	-		-	WEIGHT 240g
APP'D	-		-	

D1811-01 **A3**
 DIMENSIONS IN mm SHEET 1 OF 1 SCALE: 1:1

1 2 3 4