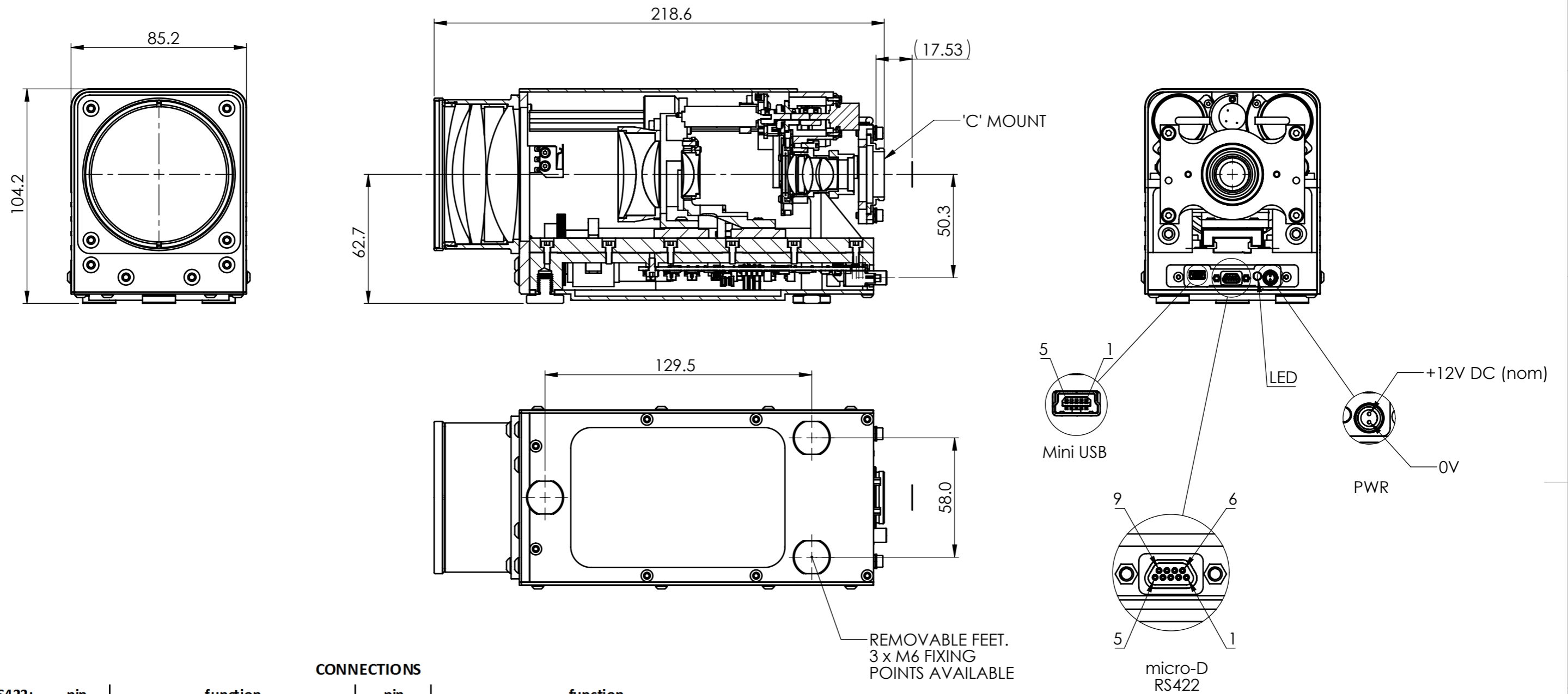


DO NOT SCALE DRAWING



**CONNECTIONS**

RS422:	pin	function	pin	function
	1	RX- (Host to Lens)	5	GND (can be unlinked from board ground)
	2	RX+	6	TX- (Lens to Host)
	3, 4, 5, 9	NC	7	TX+

USB:	pin	function	pin	function
	1	VBUS (5V) - enables USB circuit	4	NC
	2	D-	5	GND (can be unlinked from board ground)
	3	D+		

**POWER CONNECTOR:** Mating part is LEMO FGG.00.302.CLAD35 pin polarity as shown (reverse protected)

**LED (if enabled):** Green steady = power on  
 Blink every 2.5 sec = heartbeat (alive)  
 More frequent blinking = communications activity

REF.	DATE	REV
	17/09/2015	1

**PRINTED**  
 17 September 2015



THESE DRAWINGS MAY NOT BE USED FOR ANY PURPOSE OUTSIDE THOSE EXPRESSLY AGREED WITH BECK OPTRONIC SOLUTIONS Ltd. ©BECK OPTRONIC SOLUTIONS, 2015. ALL RIGHT RESERVED

TOLERANCES: UNLESS OTHERWISE SPECIFIED: LINEAR:- 0 ±0.5 0.0 ±0.3 0.00 ±0.1 ANGULAR:- 0° ±2° 0.0° ±0.25°			THIRD ANGLE PROJECTION 		TITLE: <b>SWIR ZOOM INTERFACE DRAWING</b>
MATERIAL: -			FINISH: -		
DRAWN PRG			DATE 17 SEPT'15		DWG NO. <b>D1810-ID-001</b>
CHK'D -			WEIGHT:		<b>A3</b>
APPV'D -					DIMENSIONS IN mm SHEET 1 OF 1 SCALE: 1:2