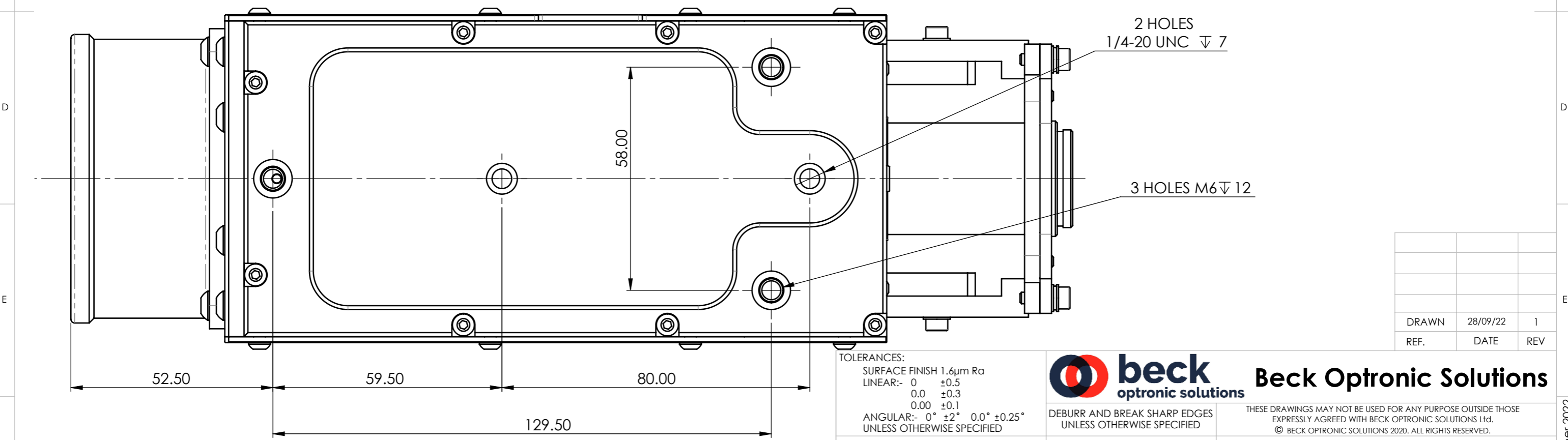
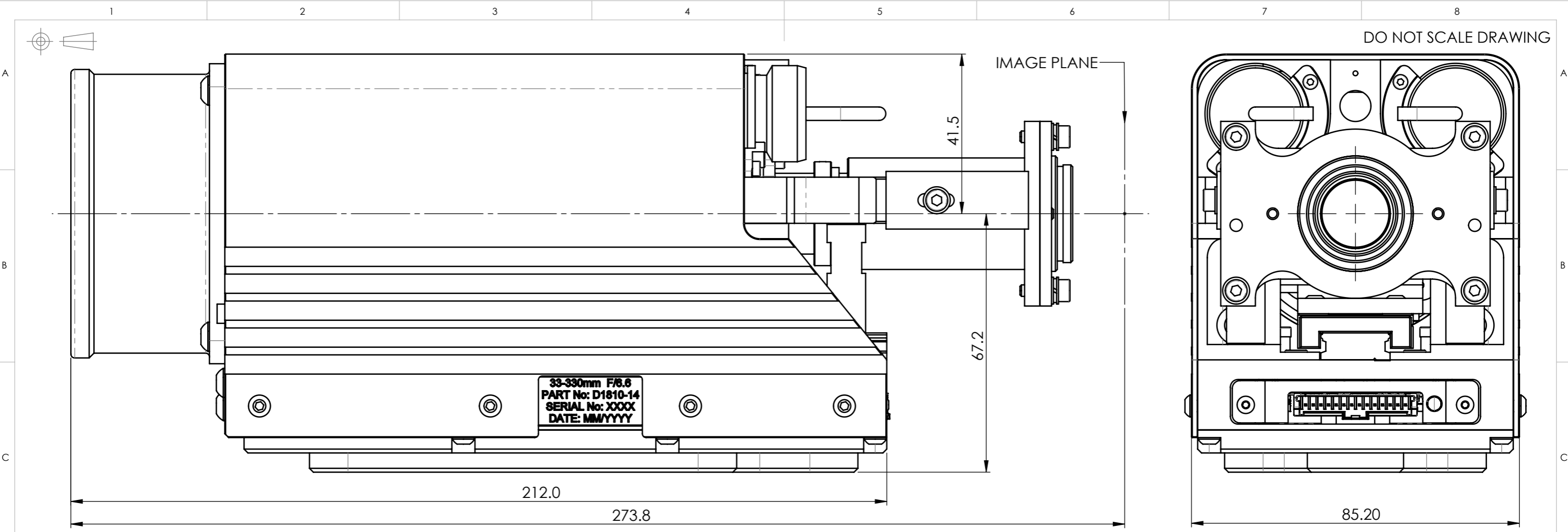


DO NOT SCALE DRAWING



REF.	DATE	REV
	28/09/22	1

TOLERANCES:
 SURFACE FINISH 1.6µm Ra
 LINEAR:- 0 ±0.5
 0.0 ±0.3
 0.00 ±0.1
 ANGULAR:- 0° ±2° 0.0° ±0.25°
 UNLESS OTHERWISE SPECIFIED



Beck Optronic Solutions

DEBURR AND BREAK SHARP EDGES UNLESS OTHERWISE SPECIFIED

THESE DRAWINGS MAY NOT BE USED FOR ANY PURPOSE OUTSIDE THOSE EXPRESSLY AGREED WITH BECK OPTRONIC SOLUTIONS Ltd. © BECK OPTRONIC SOLUTIONS 2020. ALL RIGHTS RESERVED.

	NAME	SIG	DATE	USED ON	WEIGHT
DRAWN	JRB		28/09/22	-	1868.23
CHK'D	-		-		
APP'D	-		-		

FINISH:
CONFIDENTIAL

TITLE:
**INTERFACE DRAWING
33-330 SWIR ZOOM LENS**

DWG NO. **D1810-ID-014** **A3**

DIMENSIONS IN mm SHEET 1 OF 1 SCALE: 1:1

PRINTED 28 September 2022